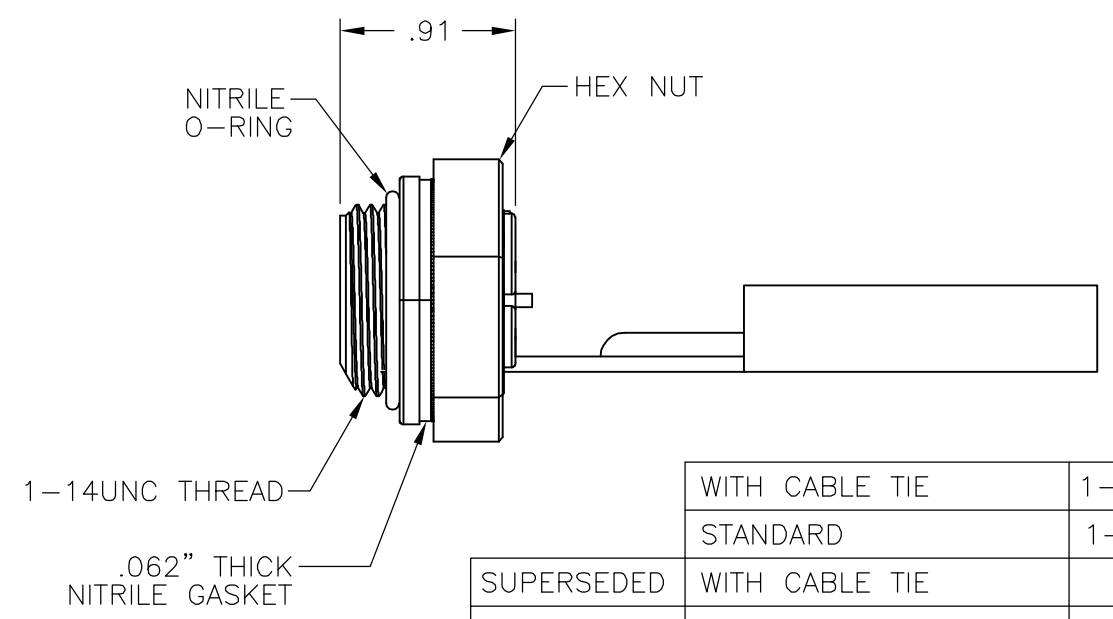
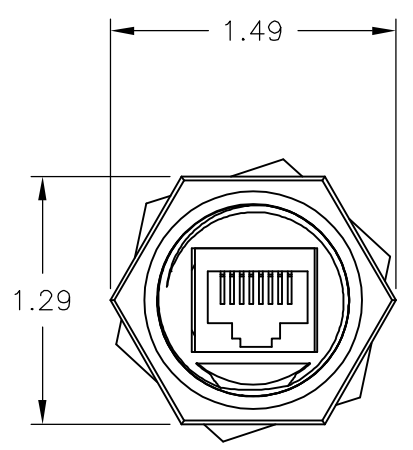
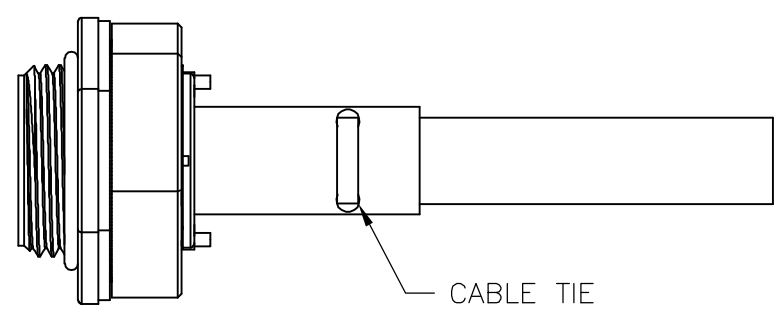
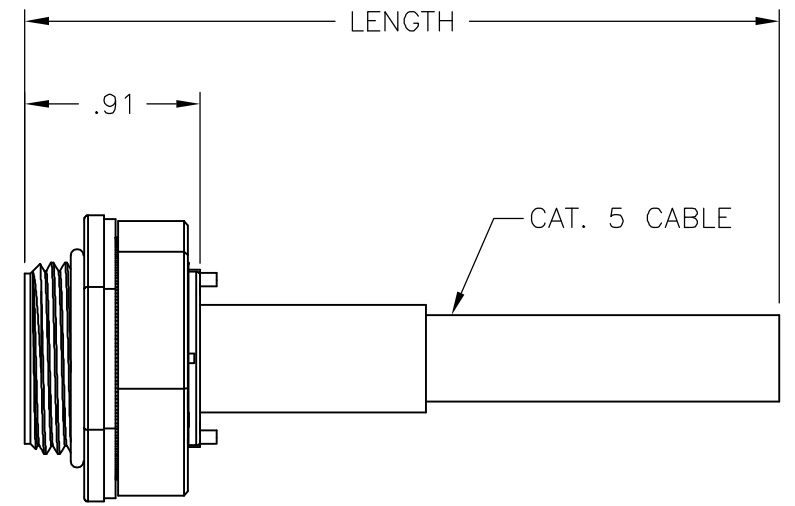
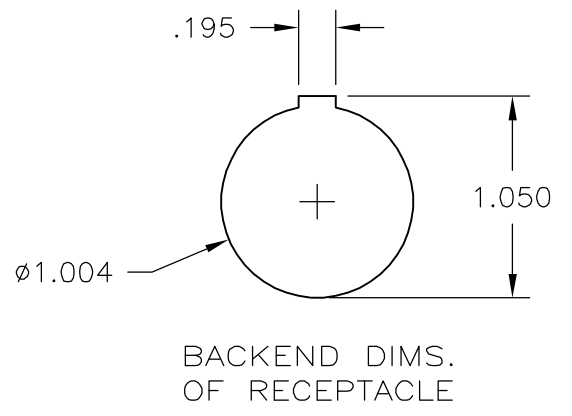
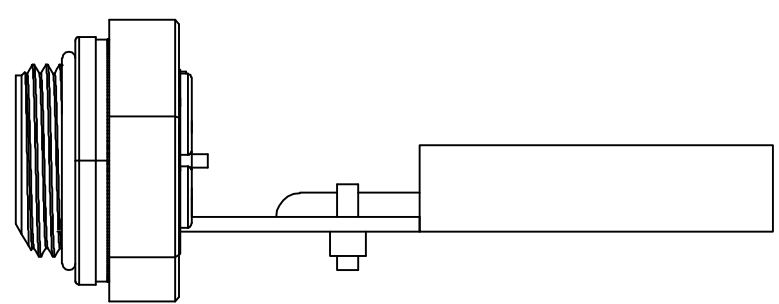


THIS DRAWING IS UNPUBLISHED. RELEASED FOR PUBLICATION  
 © COPYRIGHT BY TYCO ELECTRONICS CORPORATION. ALL RIGHTS RESERVED.

LOC	DIST	REVISIONS			
P	LTR	DESCRIPTION	DATE	DWN	APVD
FT	0	C	REVISED PER ECO-06-16025	7/7/06	SS DC



DESCRIPTION	PART NO.
WITH CABLE TIE	1-1546410-2
STANDARD	1-1546410-1
SUPERSEDED WITH CABLE TIE	1546410-2
SUPERSEDED STANDARD	1546410-1



-2 ONLY

THIS DRAWING IS A CONTROLLED DOCUMENT.		DWN S SCHLEGEL 09OCT2002	Tyco Electronics Corporation Harrisburg, PA 17105	
DIMENSIONS: INCHES		CHK H WAKEEM 10/9/02		
TOLERANCES UNLESS OTHERWISE SPECIFIED:		APVD H WAKEEM 10/9/02	NAME	
0 PLC ± -	1 PLC ± -	PRODUCT SPEC	RECEPTACLE WITH PCB & 12 IN. OF CABLE (10 BASE-T)	
2 PLC ± .02	3 PLC ± .005	APPLICATION SPEC	SIZE	CAGE CODE
4 PLC ± -	ANGLES ± 2'	WEIGHT	A3	00779
MATERIAL -	FINISH -	CUSTOMER DRAWING	DRAWING NO	RESTRICTED TO
			C-1546410	-
			SCALE NTS	SHEET 1 OF 1
			REV C	